

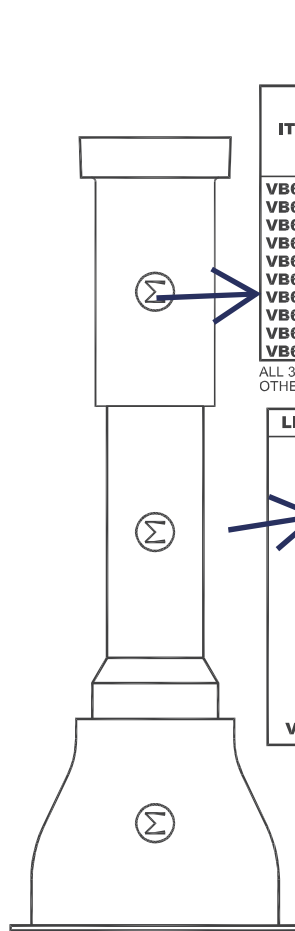


Municipal  
Construction

# Valve, Curb, & Service Boxes

C  
A  
S  
T  
I  
N  
G  
S

## VB630

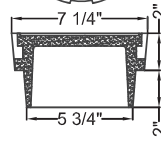


VALVE BOX COMPLETE

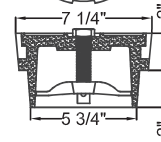
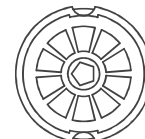
ITEM #	CAST IRON VALVE BOXES 3 PIECE SCREW TYPE.					
	COMPLETE		TOP		BOTTOM	
	HEIGHT RANGE	APPX. WT (LBS.)	LENGTH (T) (INCHES)	APPX. WT (LBS.)	LENGTH (B) (INCHES)	APPX. WT (LBS.)
VB630A	27-31	81	10	32	12	18
VB630AA	33-42	95	16	41	18	23
VB630B	39-49	100	16	41	24	27
VB630C	45-54	104	16	41	30	32
VB630CC	51-60	108	16	41	36	36
VB630D	45-66	122	26	59	30	32
VB630DD	51-72	126	26	59	36	36
VB630E	63-72	131	16	41	48	59
VB630F	63-84	149	26	59	48	59
VB630G	74-94	158	26	59	60	63

ALL 3-PIECE VALVE BOXES ARE SUPPLIED WITH A STANDARD #6 BASE. OTHER BASES ARE ALSO AVAILABLE AS SHOWN.

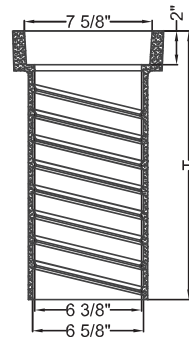
LIDS FIT IN BOTH SCREW TYPE & SLIP TYPE VALVE BOXES



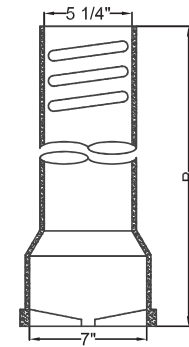
VB2600 (5 1/4" DROP LID)



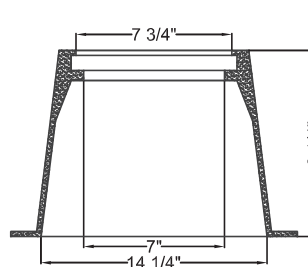
VB2625 (5 1/4" LOCK LID)



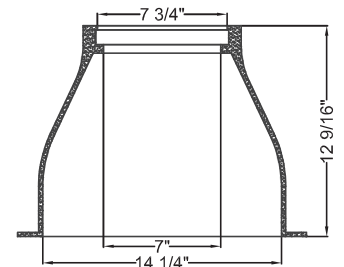
TOP SECTION



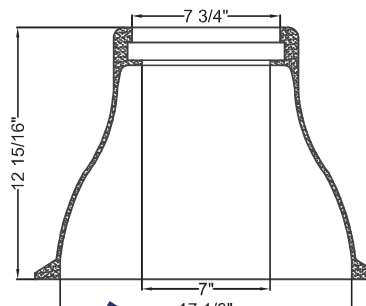
BOTTOM SECTION



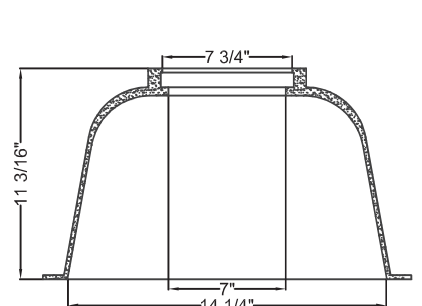
VB-6304



VB-6306



VB-6308

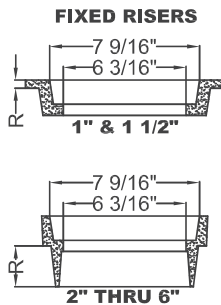


VB-63160

# Valve, Curb, & Service Boxes

## Municipal Construction

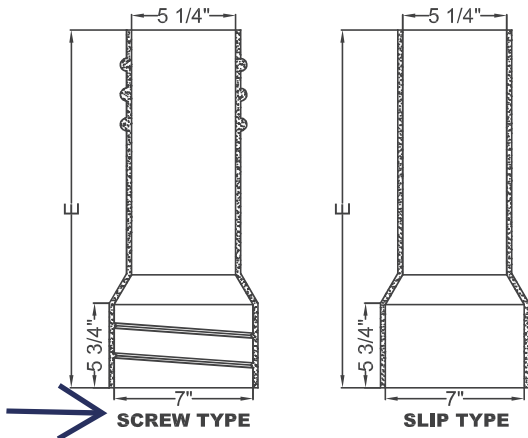
### Risers / Extensions



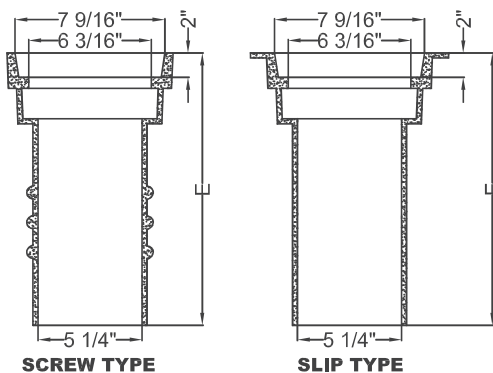
**SIGMA'S FIXED RISERS  
ACCEPT STANDARD 5 1/4" DROP LIDS.  
NO NEED TO PURCHASE A SEPARATE  
SPECIAL LID!**

ITEM #	RISE (R) (IN)	TOTAL HEIGHT (IN)	WEIGHT (LBS.)
<b>VB2601</b>	1	3	6
<b>VB26015</b>	1 1/2	3 1/2	8
<b>VB2602</b>	2	4	11
<b>VB26025</b>	2 1/2	4 1/2	15
<b>VB2603</b>	3	5	17
<b>VB2604</b>	4	6	23
<b>VB2605</b>	5	7	28
<b>VB2606</b>	6	8	33

**RIGHT HEIGHT ADJUSTABLE RISERS**



SREW TYPE	SPECIFICATIONS COMMON TO SREW TYPE & SLIP TYPE.			SLIP TYPE
	RISE	TOTAL HEIGHT (E)	WEIGHT (LBS.)	
<b>ITEM #</b>				<b>ITEM #</b>
<b>VB2658</b>	54	32	32	<b>VB4658</b>
<b>VB2659</b>	72	41	32	<b>VB4659</b>
<b>VB2660</b>	81	41	41	<b>VB4660</b>
<b>VB2661</b>	99	59	41	<b>VB4661</b>



ITEM #	EXT. RANGE	TOTAL HEIGHT(E) (IN)	WEIGHT (LBS.)
<b>VB2667</b>	2 1/2-8	12 1/2	25
<b>VB2668</b>	2 1/2-10	14 1/2	27
<b>VB2669</b>	2 1/2-14	16 1/2	30
<b>VB2670</b>	2 1/2-24 1/2	29	45

ITEM #	EXT. RANGE	TOTAL HEIGHT (E) (IN)	WEIGHT (LBS.)
<b>VB4667</b>	2 1/2-6	12 1/2	27
<b>VB4668</b>	2 1/2-8	14 1/2	30
<b>VB4669</b>	2 1/2-10	18	32

CASTING