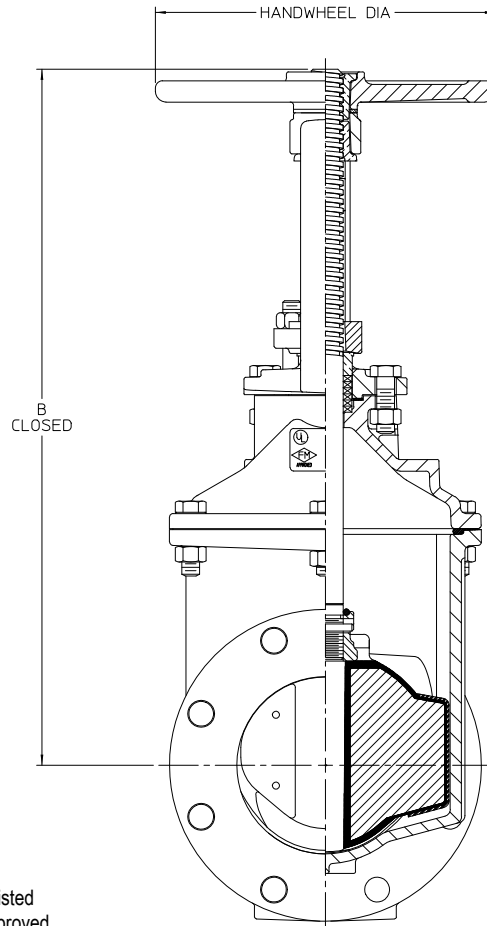
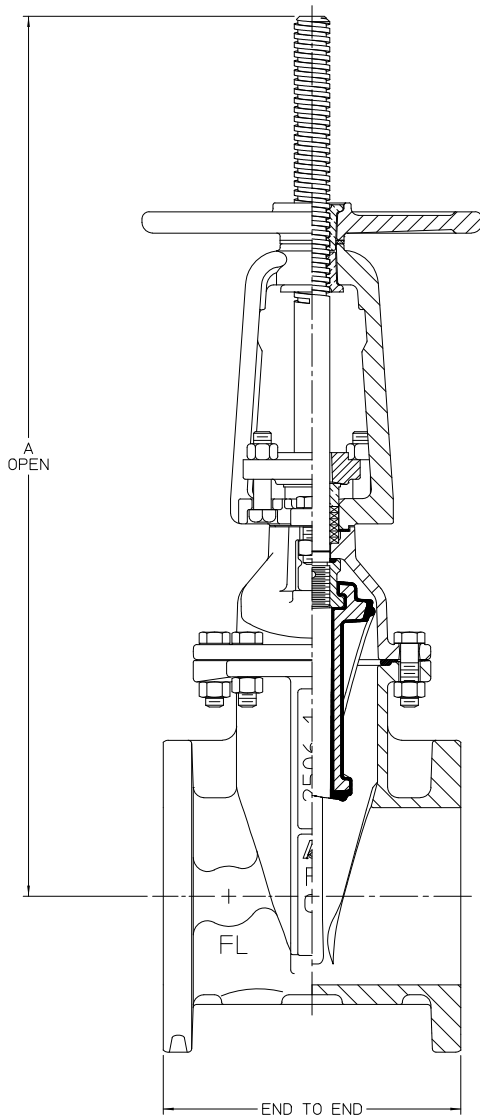


# AMERICAN Flow Control Submittal Information

## 4" - 12" SERIES 2500-1 RESILIENT WEDGE GATE VALVE, OS&Y



UL Listed  
FM Approved  
AWWA

SK20041102-1

DIMENSION	VALVE SIZE				
	4"	6"	8"	10"	12"
A (Valve Open) $\pm 1/4$	23.47	30.97	38.16	48.41	53.28
B (Valve Closed) $\pm 1/4$	19.12	24.59	29.91	38.16	41.41
Handwheel Diameter	10.00	12.00	14.00	16.00	16.00
End to End	9.00	10.50	11.50	13.00	14.00
No. of Turns to Open	14	20	25	31	38



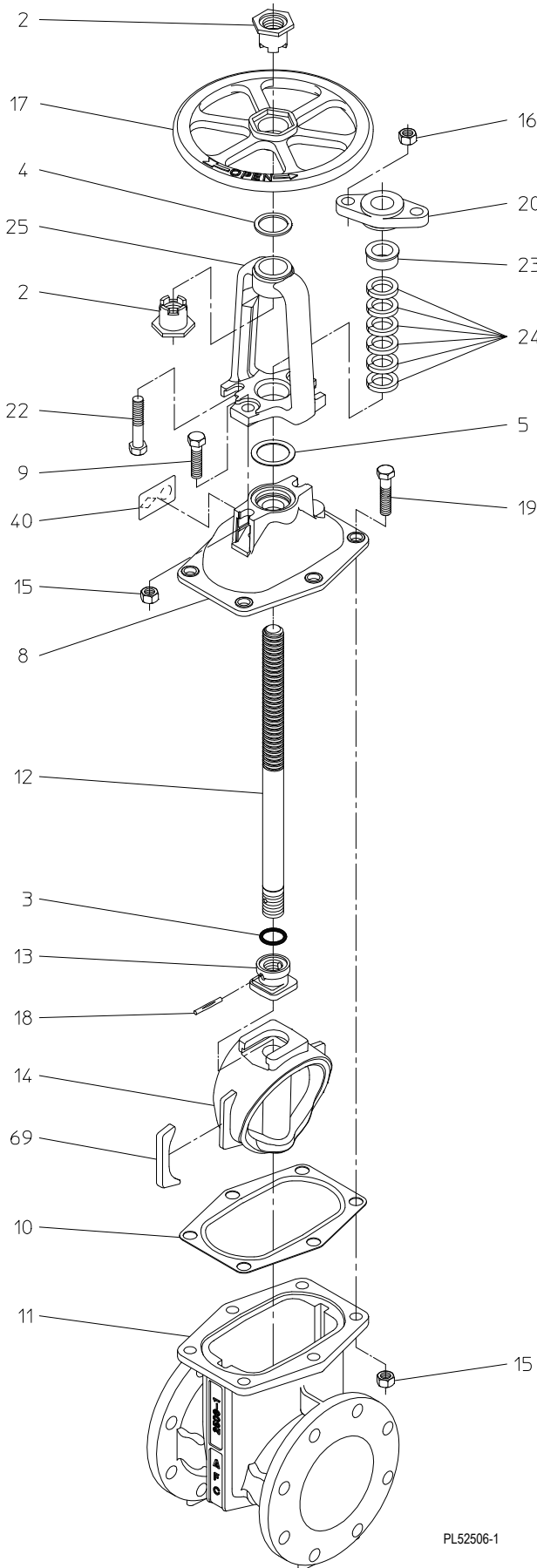
**AMERICAN**  
FLOW CONTROL

**THE RIGHT WAY**

AMERICAN Flow Control  
P.O. Box 2727  
Birmingham, Al. 35202-2727  
Phone: 1-800-326-8051  
Fax: 1-800-610-3569  
E-mail: afcsales@american-usa.com

Waterous Company  
125 Hardman Avenue South  
South St. Paul, Mn. 55075-1191  
Phone: 1-888-266-3686  
Fax: 1-800-601-2809  
E-mail: afcsales@american-usa.com

[WWW.AMERICAN-USA.COM](http://WWW.AMERICAN-USA.COM)



REF NO.	DESCRIPTION	MATERIAL
2	Stem Nut	Forging Brass, ASTM B124, UNS C37700
3	O-Ring	Rubber
4	Handwheel Washer	Brass, ASTM B36, UNS C26000
5	Stuffing Box Gasket	Rubber
8	Bonnet	Ductile Iron, ASTM A536
9	Hex Head Bolt, 5/8-11 x 2"	304 Stainless Steel
10	Bonnet Gasket	Rubber
11	Body	Ductile Iron, ASTM A536
12	Stem	Free Cutting Brass, ASTM B16, UNS C36000
13	Wedge Nut	Ductile Iron, ASTM A536
14	Resilient Wedge	EPDM Rubber Encapsulated Ductile Iron ASTM A536
15	Hex Nut, 5/8-11	304 Stainless Steel
16	Hex Nut, 5/8-11	Brass, ASTM F467, UNS C27000
17	Handwheel	Ductile Iron, ASTM A536
18	Groove Pin	303 Stainless Steel
19	Hex Head Bolt, 5/8-11 x 2-1/4"	304 Stainless Steel
20	Gland Follower	Ductile Iron, ASTM A536
22	Hex Head Bolt, 5/8-11 x 2-3/4"	304 Stainless Steel
23	Gland	Sintered Bronze, Oil Impregnated, ASTM B438, Group 1, Type II
24	Packing Ring	Tallow Impregnated Flax
25	Yoke	Ductile Iron, ASTM A536
40	UL/FM Label	Pressure Sensitive Acrylic Film
69	Wedge Cover	Acetal Polymer

**OPTIONAL MATERIALS ARE AS FOLLOWS**

BOLTS and NUTS: 316 Stainless Steel

STEM: Cast NDZ-S Bronze, ASTM B763, UNS C99500

STEM: Stainless Steel

Open Direction:  Left (C.C.W.)  Right (C.W.)

**NOTES:**

1. Available in configurations that are UL Listed and FM Approved with 250 psig rated working pressure.
2. Meets requirements of ANSI/AWWA C515 with 250 psig rated working pressure.
3. Fusion-bonded epoxy-coated in accordance with ANSI/AWWA C550.
4. Certified to ANSI/NSF Standard 61.

PL52506-1

Construction shown is typical of the 6-inch size with flanged end connections and is illustrative only. Construction of other sizes and end connection types vary slightly. See elsewhere on this submittal for specific details.



**AMERICAN**  
FLOW CONTROL

**THE RIGHT WAY**

AMERICAN Flow Control  
P.O. Box 2727  
Birmingham, Al. 35202-2727  
Phone: 1-800-326-8051  
Fax: 1-800-610-3569  
E-mail: afcsales@american-usa.com

Waterous Company  
125 Hardman Avenue South  
South St. Paul, Mn. 55075-1191  
Phone: 1-888-266-3686  
Fax: 1-800-601-2809  
E-mail: afcsales@american-usa.com

[WWW.AMERICAN-USA.COM](http://WWW.AMERICAN-USA.COM)