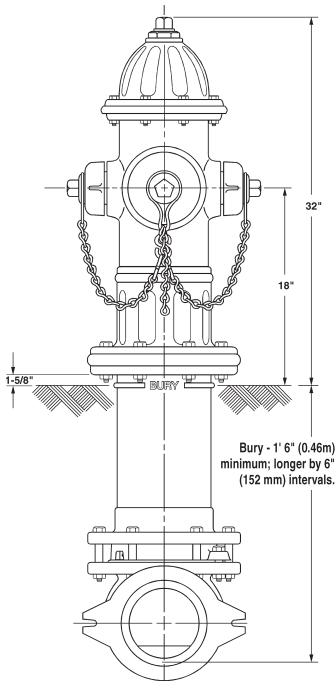


Rev. 8-04 Shaded area indicates changes

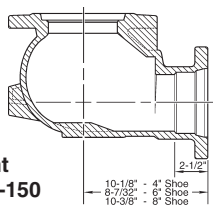
- ❑ **Super Centurion 250™ 3-way catalog numbers**
(approved to UL 246, FM 1510, ANSI/AWWA C502 Standards) -
A-421 4-1/2" main valve opening three way (two hose nozzles and one pumper nozzle)
A-423 5-1/4" main valve opening three way (two hose nozzles and one pumper nozzle)
- Super Centurion 200™ 2-way catalog numbers**
(approved to ANSI/AWWA C502 Standards) -
A-420 4-1/2" main valve opening two way (two hose nozzles)
A-422 5-1/4" main valve opening two way (two hose nozzles)
A-425 5-1/4" main valve opening two way (two pumper nozzles)
- Super Centurion 200™ 1-way catalog number**
(approved to ANSI/AWWA C502 Standards)-
A-424 4-1/2" main valve opening one way (one pumper nozzle)
- ❑ 10 year limited warranty on material and workmanship
- ❑ Meets all applicable parts of ANSI/AWWA C502 Standard
- ❑ Post type dry barrel design
- ❑ Dry top design with O-ring sealed oil reservoir
- ❑ Traffic feature with stainless steel safety stem coupling
- ❑ Compression-type main valve closes with pressure for positive seal; it is made of rubber and is conveniently reversible providing a spare for long service life
- ❑ Operating nut available in wide variety of shapes and sizes-open left or right
- ❑ Field replaceable hose and pumper nozzles
- ❑ Hose and pumper nozzles have large radius, full flow openings for low friction loss
- ❑ Contoured shoe is designed for full flow
- ❑ Dual bronze drain valves provide effective barrel drainage
- ❑ 250 psig (1723 kPa) maximum working pressure, 500 psig (3447 kPa) static test pressure for 3-way hydrants;
200 psig (1379 kPa) maximum working pressure, 400 psig (2758 kPa) static test pressure for 2-way and 1-way hydrants



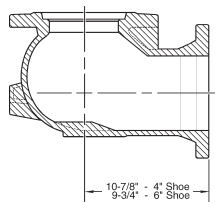
Dimensions



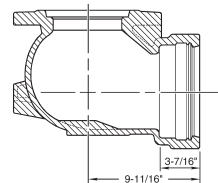
Mechanical joint standard and D-150



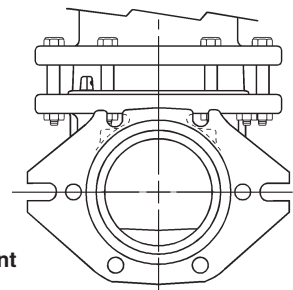
Flange
ANSI 125/150 or
PN 10/16 Drilling



Slip-on

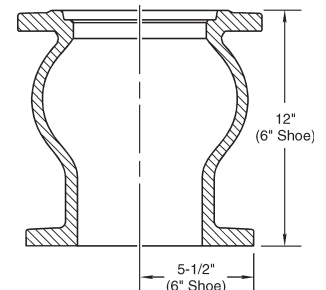


Non-rotating bolt design: cast-in pads eliminate need for anti-rotation bolts.



Front view detail of Mechanical joint (Standard only)

Vertical Flange*



* 4" Vertical shoe available for A-420 and A-421 hydrants.