

The Kennedy Guardian

Fire hydrants have been used in fire protection for over 100 years. A.W.W.A. C502 was developed in 1913 as a standard for the manufacture and use of dry barrel hydrants. Kennedy has established itself as a leader in the industry with manufacturing experience dating back to 1905. Many of the early hydrants are in use today.

Kennedy's most recent design is the Guardian. Based on a simple design, it is easy to install, maintain and repair. The Guardian sets a standard for quality in the industry and meets or exceeds all requirements for A.W.W.A. C502 latest revision, and is UL listed and FM approved.

K81D Meets or exceeds requirements of A.W.W.A. C-502 and is UL listed and FM approved.

K-81A Meets or exceeds requirements of A.W.W.A. C-502.

Guardian Features

Fig. K81D

One Piece Bonnet
Newly designed for easier maintenance.

Sealed Grease Cavity
For easier operation and maintenance.

Traffic Flange
Full 360° adjustment. New Breaking Ring on top for easy replacement and interchangeability on all K-81 models.

Corrosion Resistant
Bronze Drain Valve.

Bronze to Bronze Seating
This standard feature assures easy seat removal.

Full Cover Bottom Plate
Prevents corrosion to the lower stem threads and prevents main valve distortion. Provides a positive stop against the elbow.

Weather Shield
To protect exposed operating area from freezing rain and dirt.

Thrust Washer
For easy turning operation.

Two O-Rings
To protect operating threads from corrosion.

O-Ring
To seal between brass ferrule and stem.

Nozzle
Tamper resistant.

Breakable Coupling
Minimizes damage from traffic accident. New design makes repairs more efficient.

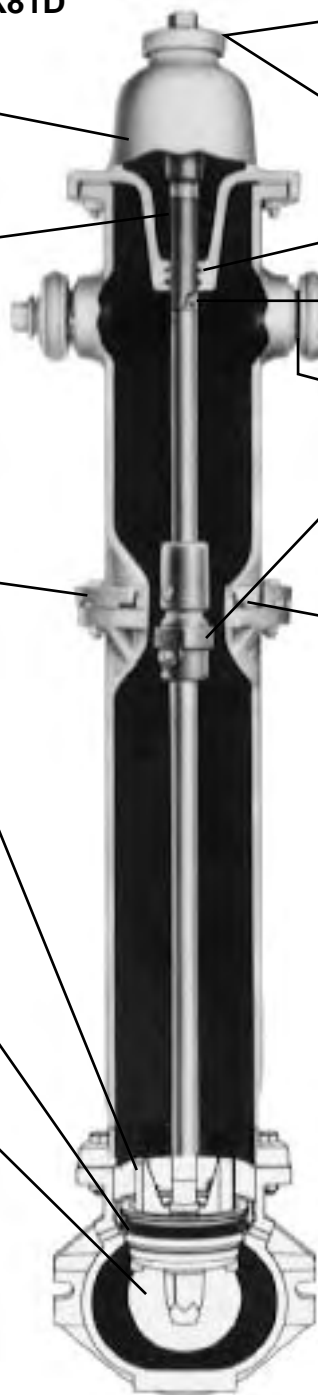
O-Ring
For ease of repair and nozzle facing.

AWWA
500 psi test pressure
250 psi working pressure

ULFM
500 psi test pressure
*250 psi working pressure
* As of 01-01-2011

Easy to install—Even easier to maintain

- **Tamper resistant** quarter turn hose and steamer nozzles. For those who know how, replacement is easy.
- **Easy to use**, short, simple, inexpensive and lightweight seat removal wrench.
- **Unique pressure-activated** drain valve assures positive shut off. The higher the pressure, the tighter the seal. Automatically compensates for wear due to usage. Does not rely on interference fit.
- **Two sizes available**, 5 1/4" valve opening and 4 1/2" valve opening to best meet your needs.
- **Fully and easily lubricated** operating threads for corrosion protection and ease of operation.
- **The Guardian K-81D Hydrant** meets or exceeds all the latest provisions of AWWA C 502, UL 246 and FM 1510 specifications (options may be limited on UL/FM models)



Guardian K81D Technical/Dimensional Data (AWWA-UL/FM)

URNS TO OPEN = 15 1/2

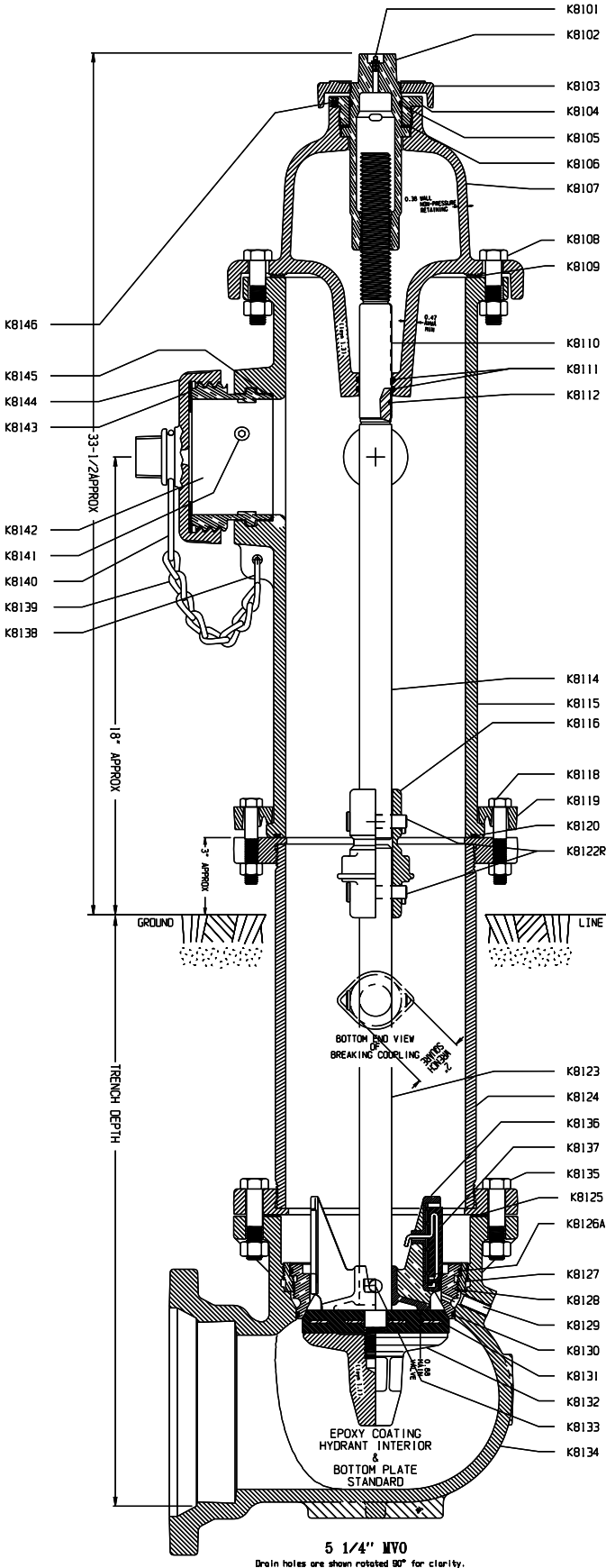


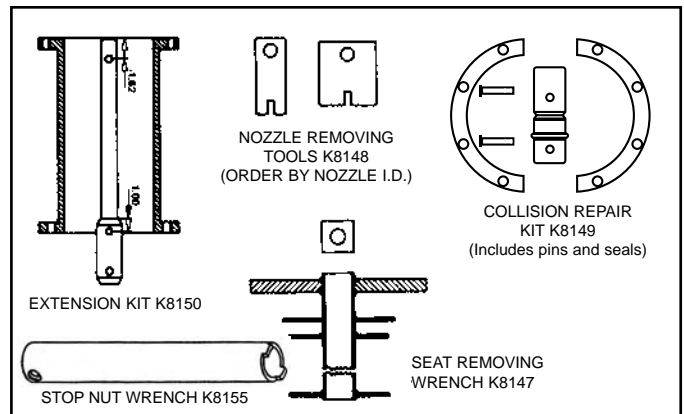
Figure K81D

PARTS LIST

DETAIL	PART	MATERIAL	ASTM SPEC (or as stated)
K8101	ALEMITE FITTING	STAINLESS STEEL	A276 (304)
† K8102	OPERATING STEM NUT	BRONZE	B584 CB4400/AWWA GR A
K8103	DIRT SHIELD	CAST IRON	A126 CLASS B
K8104	STEM LOCK NUT	BRONZE	B584 CB4400/AWWA GR A
† K8105	O-RING	VITON	D2000
† K8106	THRUST WASHER	NYLATRON GS	MIL LP-410
K8107	HYDRANT CAP	CAST IRON	A126 CLASS B
K8108	CAP BOLTS & NUTS	STEEL (ZINC PLATED)	A 307/SAE GR 2
† K8109	CAP GASKET	CLOTH INSERTED RUBBER	D2000
* K8110	STEM FERRULE	NAVAL BRASS	B21-CDA 464
† K8111	O-RING	BUNA-N (SYN. RUBBER)	D2000
* K8112	O-RING	BUNA-N (SYN. RUBBER)	D2000
K8114	UPPER STEM	C.R. STEEL	A108
K8115	UPPER BARREL	CAST IRON	A126 CLASS B
K8116	STEM BREAKING COUPLING	CAST IRON	A126 CLASS B
K8118	BOLTS & NUTS	STEEL (ZINC PLATED)	A 307/SAE GR 2
K8119	BREAKING RING	CAST IRON	A126 CLASS B
K8120	O-RING	BUNA-N (SYN. RUBBER)	D2000
K8122R	COUPLING PINS	STAINLESS STEEL	18-8
K8123	LOWER STEM	C.R. STEEL	A108
K8124	LOWER BARREL	DUCTILE IRON (C.I on request)	ANSI 21.50, 21.51
† K8125	ELBOW GASKET	CELLULOSE FIBER	FED F339477M4
† K8126A	O-RING	BUNA-N (SYN. RUBBER)	D2000
* K8127	SEAT RING INSERT	BRONZE	B584 CB4400/AWWA GR A
† K8128	SEAT RING	BRONZE	B584 CB4400/AWWA GR A
K8129	DRAIN TUBE	NAVAL BRASS	B21-CDA 464
† K8130	O-RING	BUNA-N (SYN. RUBBER)	D2000
† K8131	MAIN VALVE	EPDM W/STEEL INSERT	D2000
K8132	BOTTOM PLATE	CAST IRON	A126 CLASS B
K8133	DRAIN VALVE PIN	STEEL-302/304 STAINLESS	A276 (304)
K8134	ELBOW	DUTILE IRON	A536 GRADE 70-50-5
K8135	ELBOW BOLTS AND NUTS	STEEL-302/304 STAINLESS	ASTM F593-304
K8136	DRAIN VALVE	BRONZE	B584 CB4400/AWWA GR A
† K8137	DRAIN VALVE FACING W/INSERT	BUNA-N W/STAINLESS STEEL	D2000/A276 (304)
K8138	NOZZLE CHAIN 'S' HOOK	STEEL	A108
K8139	NOZZLE CAP CHAIN	STEEL	A108
K8140	NOZZLE CHAIN BAND	STEEL	A108
† K8141	NOZZLE RETAINING SCREW	STAINLESS STEEL	A276 (304)
# K8142	NOZZLE	BRONZE	B584 C83600
†# K8143	NOZZLE CAP GASKET	RUBBER	D2000 TYPE AA
# K8144	NOZZLE CAP	CAST IRON	A126 CLASS B
†# K8145	O-RING	BUNA-N (SYN. RUBBER)	D2000
K8146	ALLEN HEAD SET SCREW	STAINLESS STEEL	A276 (410)
K8147	SEAT REMOVAL WRENCH		
K8148	NOZZLE REMOVAL TOOLS		
† K8149	COLLISION REPAIR KIT		
K8150	GRADE EXTENSION KIT		

* Denotes that part is available only as part of an assembly.
 # Must specify type of Nozzle, Hose or Steamer.
 † Recommended spare parts.

Accessories



Style	Shoe Size	A
M.J.	4	7 3/4
M.J.	6	8
Flange	4	7 7/8
Flange	6	8 1/8
Tyton	6	9

MARKINGS	
FRONT	BACK
YEAR	SIZE
KENNEDY	K.V. MONOGRAM
U.S.A.	KENNEDY
UL / FM	ELMIRA, NY
TYPE	AWWA
	250 CWP

Tyton ends available only in 5 1/4" Main Valve Hydrants.
 4" shoe dimensions apply to 4 1/2" Main Valve Hydrants only.

Contact Factory for UL/FM Limitations