

# 10.6

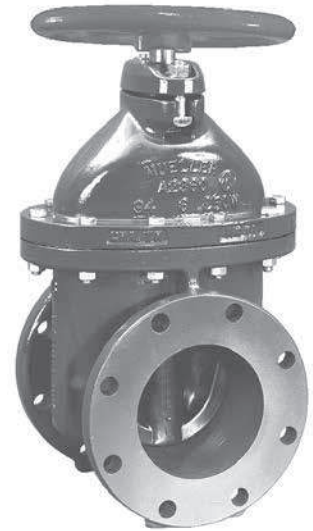


## 4" - 12" A-2361 RESILIENT WEDGE GATE VALVES - FL. x FL.

Rev. 4-14

- Catalog number – **A-2361-6** flanged ends
- Sizes – 4", 6", 8", 10", 12"
- Meets or exceeds all applicable requirements of ANSI/AWWA C515 Standard, UL Listed, FM Approved, and certified to ANSI/NSF 61.†
- Flanged end drilling complies with ANSI B16.1, class 125
- Iron body with nominal 10 mils MUELLER® Pro-Guard® Fusion Epoxy Coated interior and exterior surfaces
- Epoxy coating meets or exceeds all applicable requirements of ANSI/AWWA C550 Standard.
- Iron wedge, symmetrical & fully encapsulated with molded rubber; no exposed iron
- Non-rising stem (NRS)
- Triple O-ring seal stuffing box (2 upper & 1 lower O-rings), with fourth o-ring serving as dirt seal
- 2" square wrench nut – open left or open right (optional handwheel available)
- 350 psig (2400 kPa/24 barg) maximum working pressure, 700 psig (4800 kPa/48 barg) static test pressure
- UL Listed, FM Approved: 350 psig (2400 kPa/24 barg)
- Mueller valves are designed for potable water application

† Approved for backflow prevention devices by USC (for 4" - 10" sizes)



**A-2361-6**

### Options

See page 10.46 for more information on Resilient Wedge Gate Valve options

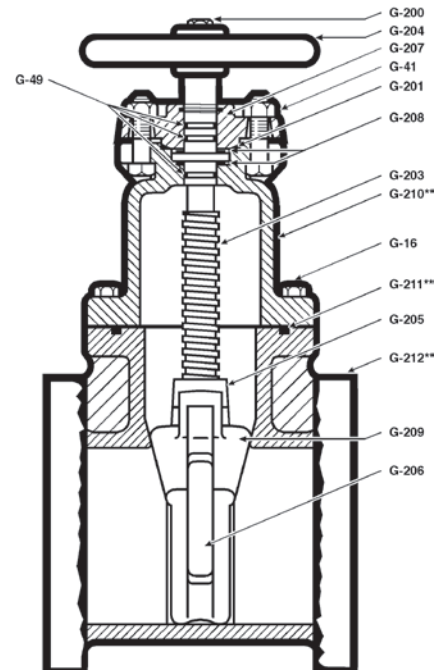
- Post indicators
- Stainless steel fasteners: Type 316
- Stainless steel stem: Type 304, Type 316
- 2" square wrench nut
- P/N 10/16 Drilling
- EPDM Disc and O-rings
- ASTM B98-C66100/H02 stem

### Resilient wedge gate valve parts

Catalog Part No.	Description	Material	Material Standard
G-16	Bonnet Bolts & Nuts	304 Stainless Steel	ASTM F593 (bolt) ASTM F594 (nut)
G-41	Stuffing Box Bolts & Nuts	304 Stainless Steel	ASTM F593 (bolt) ASTM F594 (nut)
G-49	Stem O-rings (3)	Nitrile	ASTM D2000
G-200	Wrench Nut Cap Screw	304 Stainless Steel	ASTM F593
G-201	Stuffing Box O-ring	Nitrile	ASTM D2000
G-202	Wrench Nut	Ductile Iron	ASTMA536 ▼
G-203	Stem	Bronze	ASTM B138
G-204	Hand Wheel	Cast Iron	ASTM A126 CL.B
G-205	Stem Nut	Bronze	ASTM B584
G-206	Guide Cap Bearings	Acetal	-
G-207	Stuffing Box with dirt seal	Ductile Iron Nitrile	ASTMA536 ▼ ASTM D2000
G-208	Anti-friction Washers (2)	Acetal	-
G-209	Wedge, Rubber Encapsulation	Ductile Iron* SBR	ASTMA536 ▼ ASTM D2000
G-210**	Bonnet	Ductile Iron	ASTMA536 ▼
G-211**	Bonnet gasket	Nitrile	ASTM D2000
G-212**	Body	Ductile Iron	ASTMA536 ▼

\*Fully encapsulated in molded rubber with no iron exposed

▼ Material strength ASTM A536 65-45-12 minimum



**SEE PAGE 10.53 FOR ORDERING INSTRUCTIONS**