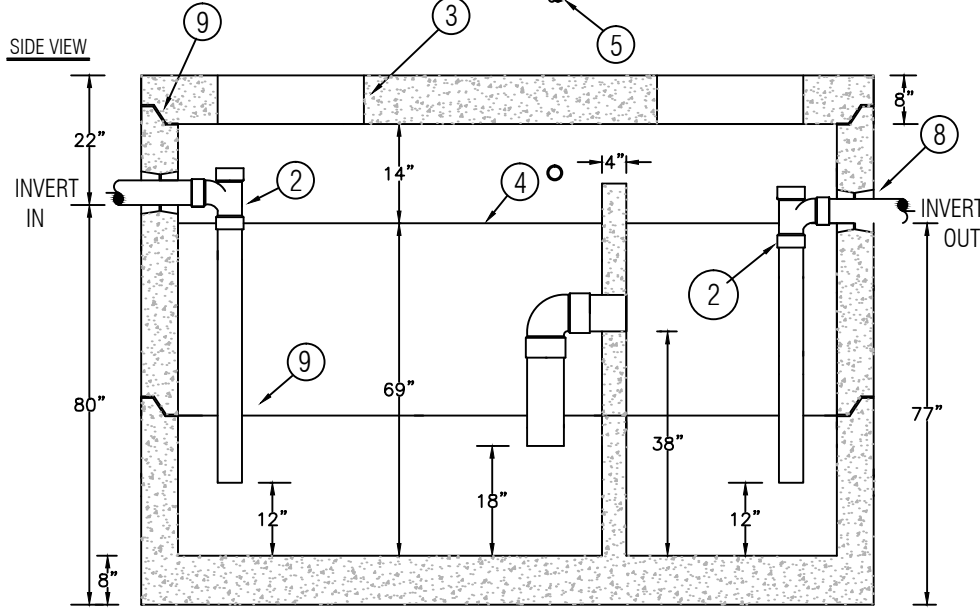


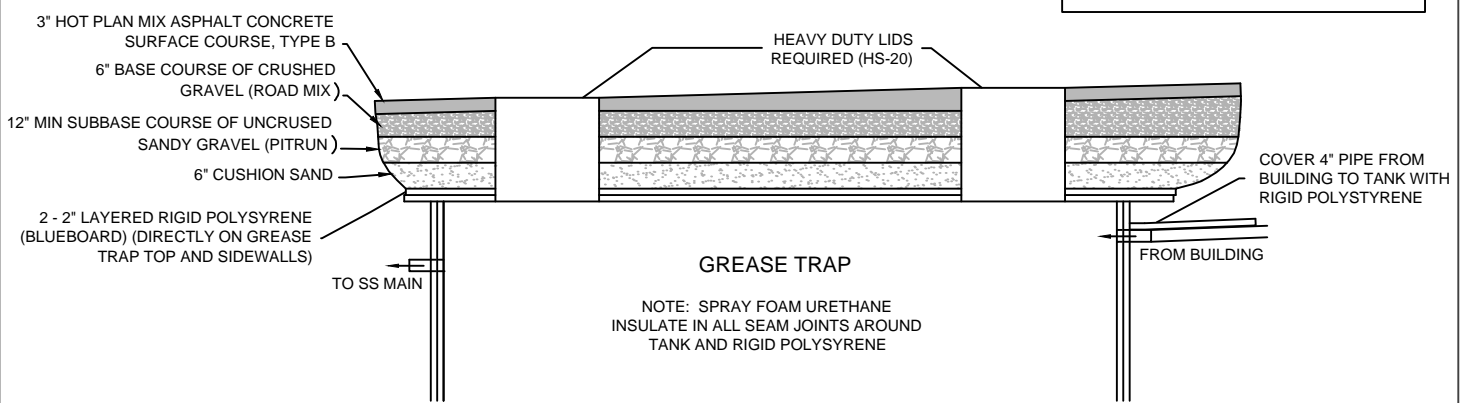
LIST OF MATERIALS

ITEM	QTY	DESCRIPTION
1	1	4" DIA. INLET PIPE WITH A Z-LOK WALL GASKET
2	2	4" SAN-TEE WITH DOWN TUBE (WALL BRACKET BY CONTRACTOR)
3	2	24" I.D. ACCESS OPENINGS
4		LIQUID LEVEL FOR BOTH CHAMBERS
5	1	2" SCH.40 PVC COUPLING IN WALL - VENT
6	2	6" DWV 90° ELBOW WITH DOWN TUBE
7	1	4" THICK PARTITION WALL AS SECONDARY POUR
8	1	4" DIA. OUTLET PIPE WITH A Z-LOK WALL GASKET
9		DOUBLE 1 1/2" DIA. CONSEAL JOINT SEALANT
1		3 PC. PRECAST CONCRETE VAULT WITH 8" THICK TOP, 6" THICK WALLS AND 8" THICK FLOOR
		PRECAST CONCRETE GRADE RINGS 24" I.D. X 2", 3", 4" AND 6" HIGH
		IFCO #828 CAST IRON FRAME AND COVER (BOLTDOWN/GASKETED) LID TO READ " GREASE INTERCEPTOR" WEIGHT OF TOP SLAB @ 8,400 LBS. WEIGHT OF WALL SECTION @ 15,200 LBS. WEIGHT OF BOTTOM @ 17,450 LBS.
		INTERIOR PIPE AND FITTINGS BY CONTRACTOR AT SITE

ANY GREASE INTERCEPTOR THAT DISCHARGES INTO BSWSD'S SANITARY SEWER COLLECTION SYSTEM SHALL BE DESIGNED BY A REGISTERED ENGINEER, LICENSED TO PRACTICE IN THE STATE OF MONTANA. GREASE INTERCEPTOR'S SHALL BE PLACE ON PRIVATE PROPERTY. THE OWNER MAINTAINS THE INDIVIDUAL INTERCEPTOR AND SHALL BECOME THE SOLE RESPONSIBILITY OF THE PROPERTY OWNER.



GREASE INTERCEPTOR



"HEAVY" DUTY PAVEMENT SECTION ABOVE GREASE TRAP

DETAIL NO.: BSWSD: 27-10	BIG SKY WSD 363 STANDARD DRAWING	SCALE: NONE	TYPICAL GREASE INTERCEPTOR	DATE:
				FEBRUARY 2010
				LAST REVISION:
				N/A
				CROSS REFERENCE WITH:
				N/A