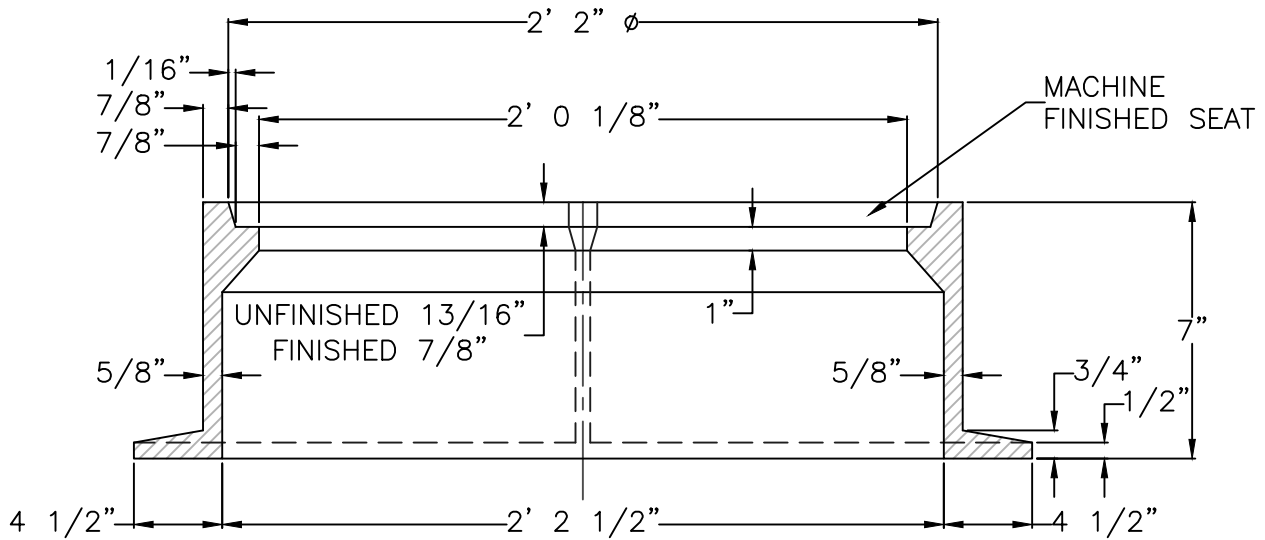


HALF PLAN



SECTION A-A

NOTE: WEIGHT 210 LBS

DETAIL NO.:

BSWSD:
27-09

**BIG SKY WSD 363
STANDARD DRAWING**

SCALE:
NONE

**STANDARD 24" CAST IRON
MANHOLE RING**

DATE:

FEBRUARY 2010

LAST REVISION:

DECEMBER 1995

CROSS REFERENCE WITH:

MPW: 02720-9