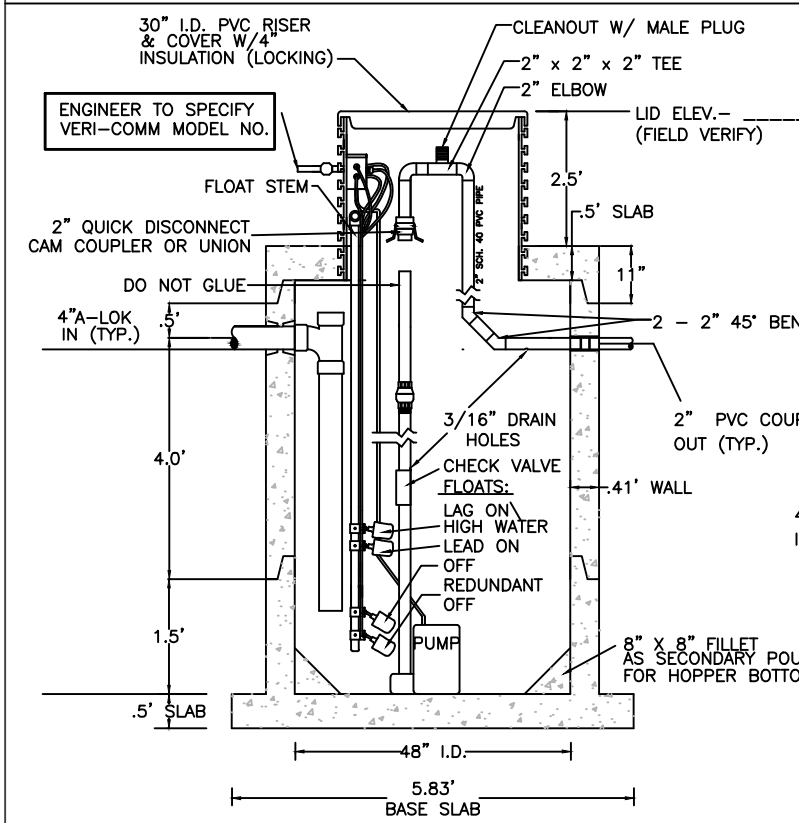
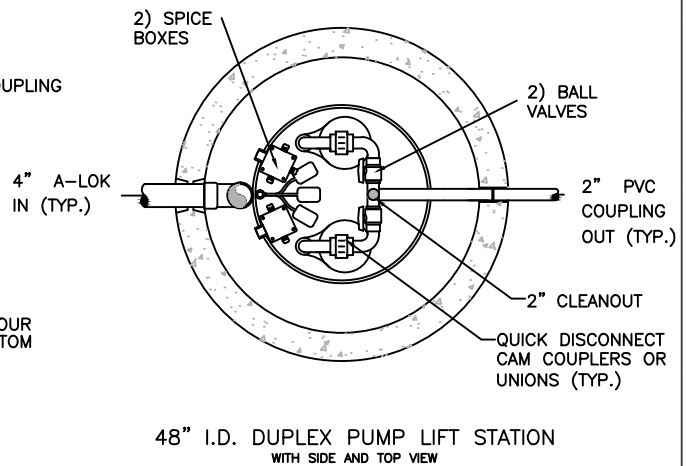


NOTES:
 RESIDENTIAL OR COMMERCIAL SEWAGE LIFT STATIONS DISCHARGING RAW SEWAGE OR EFFLUENT TO BSWSD'S SANITARY SEWER COLLECTION SYSTEM SHALL BE DESIGNED BY A REGISTERED ENGINEER, LICENSED TO PRACTICE IN THE STATE OF MONTANA. LIFT STATION DESIGN AND DETAILS SHALL RECEIVE APPROVAL FROM THE STATE OF MONTANA DIVISION OF ENVIRONMENTAL QUALITY (MDEQ) AND THE BSWSD PRIOR TO INSTALLATION. INDIVIDUAL LIFT STATIONS SHALL BE PLACED ON PRIVATE PROPERTY. THE OWNER MAINTAINS THE INDIVIDUAL STATION AND SHALL BECOME THE SOLE RESPONSIBILITY OF THE PROPERTY OWNER.



- NOTES:**
1. ALL WALLS ARE 5" THICK, FLOOR AND FLAT TOP ARE 6" THICK.
 2. WET WELL BOTTOM/BASE SECTION MONOLITHIC
 3. SPECIFY LIQUID CAPACITY OF VAULT.
 4. ADDITIONAL SECTIONS MAY BE ADDED FOR EXTRA DEPTH
 5. RISER HEIG DETERMINED BY FINAL GRADE.
 6. CONSEAL 202 JOINT SEALANT
 7. ALL COMPONANTS OF THIS SYSTEM MUST BE PROTECTED FROM FREEZING.
 8. USE HYDRAMATIX SK-75 .75 HP PUMPS
 9. ENGINEER WILL SPECIFY ORENCO VERI-COMM CONTROL PANEL OR AN APPROVED EQUAL.
 10. CONTROL PANEL MUST BE CONNECTED TO A PHONE LINE.



DETAIL NO.: BSWSD: 27-06	BIG SKY WSD 363 STANDARD DRAWING	SCALE: NONE	TYPICAL RESIDENTIAL SEWAGE LIFT STATION (SOLIDS HANDLING TYPE)	DATE:	FEBRUARY 2010
				LAST REVISION:	N/A
				CROSS REFERENCE WITH:	N/A