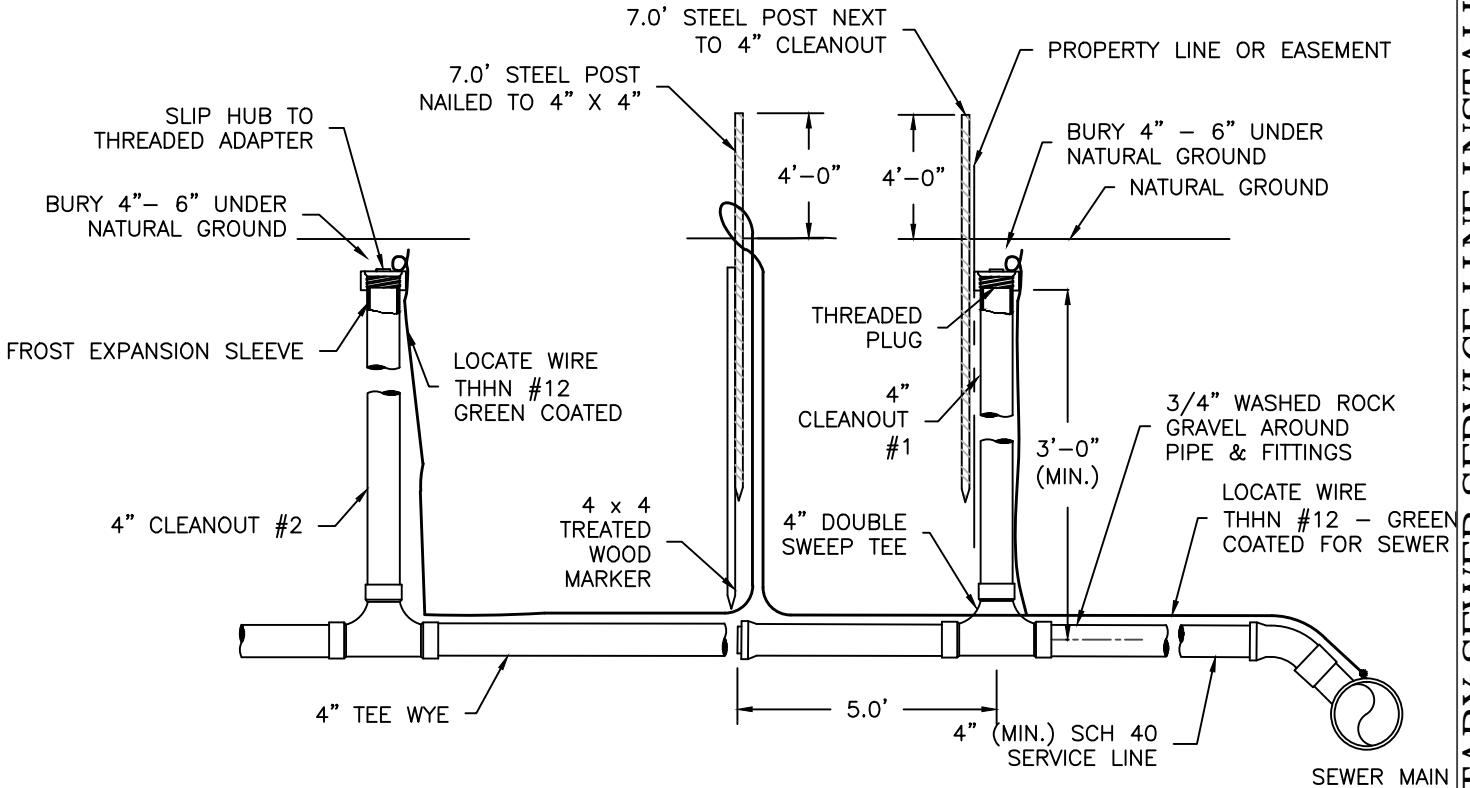


**NOTES:**

1. CLEANOUTS EVERY 100 FEET.
2. ALL CLEANOUTS NEED TO BE READILY ACCESSIBLE AT THE COMPLETION OF THE PROJECT.



**NOTES:**

1. SEE DETAIL NO: BSWSD: 27-13 FOR INSULATION REQUIREMENTS.

DETAIL NO.:

BSWSD:  
27-02

**BIG SKY WSD 363  
STANDARD DRAWING**

SCALE:  
NONE

**TYPICAL SANITARY SEWER  
SERVICE LINE INSTALLATION  
W/ CLEANOUTS**

DATE:

FEBRUARY 2010

LAST REVISION:

MAY 4, 2010

CROSS REFERENCE WITH:

N/A