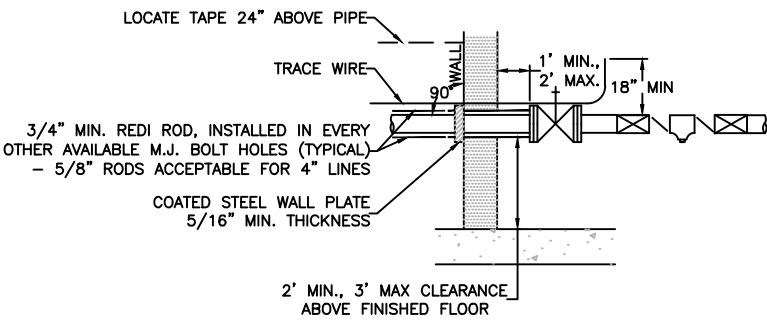
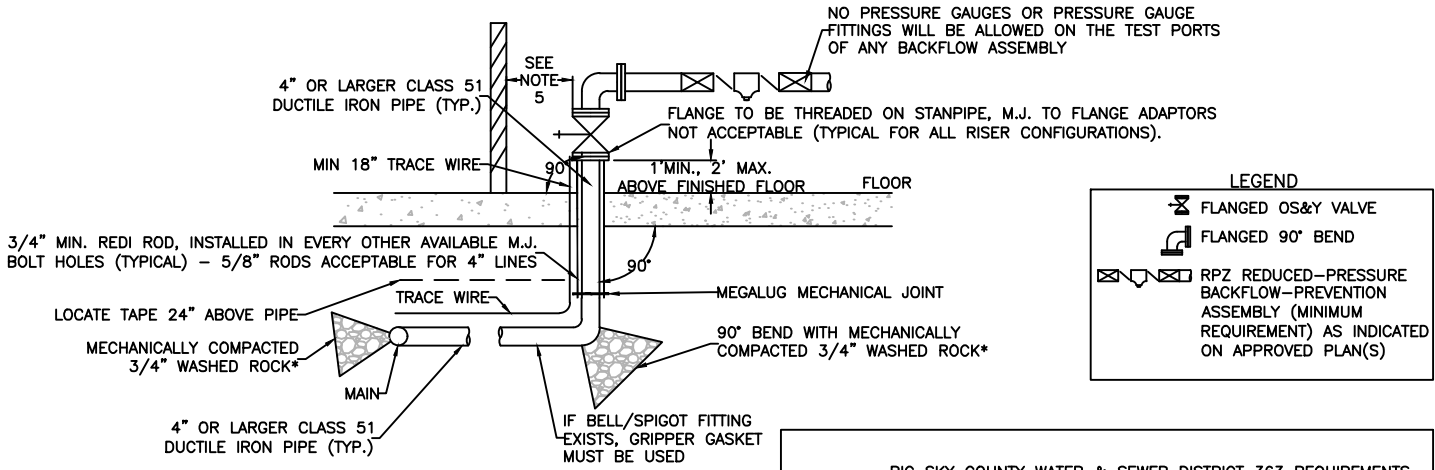


ONLY FITTINGS ALLOWED BETWEEN FIRST OS&Y VALVE AND BACKFLOW ASSEMBLY TO BE 90° BEND



- BIG SKY COUNTY WATER & SEWER DISTRICT 363 REQUIREMENTS FOR INSTALLATION OF REDUCED PRESSURE BACKFLOW PREVENTION ASSEMBLY
- The FIRST fitting inside of the building shall be a UL listed flanged Kennedy or Mueller OS&Y valve the same size as the fire service line.
  - All Double Check Valve Assemblies shall be:
    - UL or FM listed
    - Approved by the University of Southern California Foundation for Cross Connection Control and Hydraulic Research (USCFCCCHR) for operation in the proposed position (vertical or horizontal) as shown on approved plans.
    - Installed as shown on the approved plans
  - A flow detection device shall be installed immediately following the Double Check Valve Assembly (alarm check valve, flow sensor/alarm, meter, etc.) as shown on the approved plans. Paddle-type flow alarms not permitted on dry systems.
  - Horizontal installations must be a minimum of 2' above the finished floor.
  - The fire service riser must be a minimum of 2' from any outside wall, and a minimum of 1' from any interior wall.
  - The incoming fire service line shall be a minimum of 7.0', and a maximum of 8.0' below the finished grade.
  - All fire service line appurtenances shall have a minimum pressure rating of 175 PSI.
  - All fire service lines 4" and larger shall be Class 51 Ductile Iron Pipe.
  - Line sizing: The Reduced Pressure Principal Assembly shall be equal in size to both the incoming pipe diameter (upstream) and outgoing pipe diameter (downstream). For example, a 4" fire service line shall have a 4" Double Check Valve Assembly.
  - A drain is required with sufficient capacity to accommodate flow through the RPZ should it fail.
  - Assembly must be accessible at all times.
  - Floor penetration must be perpendicular to floor.
  - Wall penetration must be perpendicular to wall.
  - If water service line comes in through the floor, a sleeve may be installed to allow the first fitting to be installed in a mechanical room.

\* THRUST BLOCKS MAY BE REQUIRED AT THE DISCRETION OF BSWSD 363.

NOTE: ALL PARTS MUST BE APPROVED BY BSWSD 363.

<b>DETAIL NO.:</b>  <b>BSWSD:</b> <b>26-14</b>	<b>BIG SKY WSD 363</b> <b>STANDARD DRAWING</b>	<b>SCALE:</b>  NONE	<b>STANDARD FIRE SERVICE</b> <b>LINE INSTALLATION FOR</b> <b>CLASS I - V SYSTEMS</b>	DATE: FEBRUARY 2010
				LAST REVISION: DECEMBER 2019
				CROSS REFERENCE WITH: SIMILAR TO: COB: 02660-14
				(Empty)