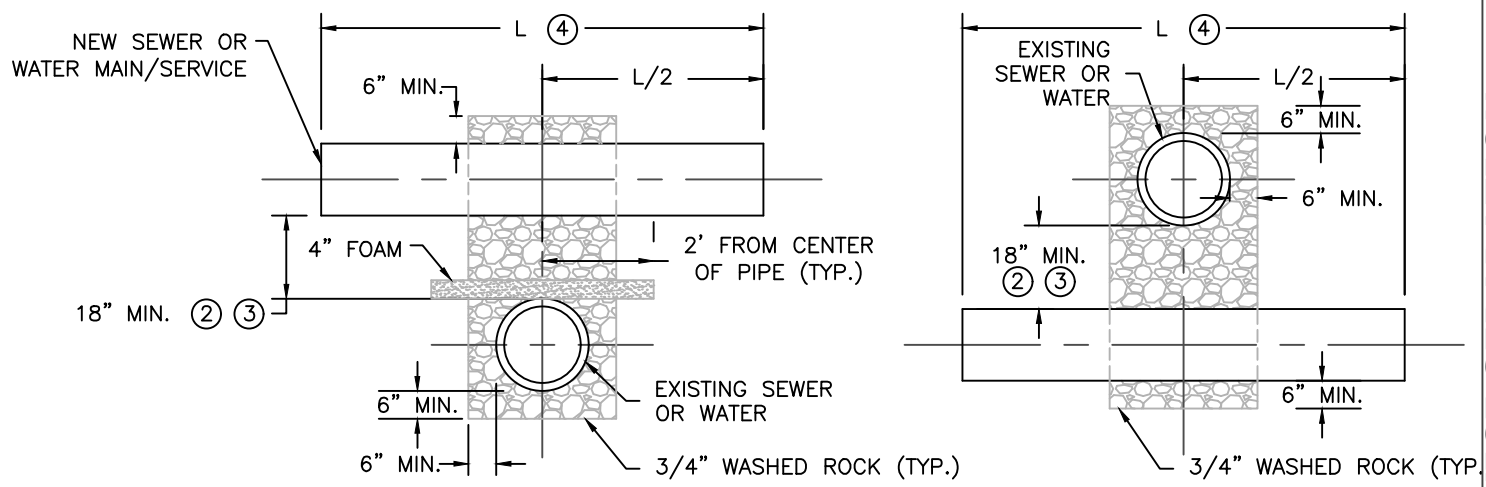


PARALLEL ARRANGEMENT



CROSSINGS ⑤

NOTES:

- ① 1. SPECIFIC MONTANA DEPARTMENT OF ENVIRONMENTAL QUALITY APPROVAL IS REQUIRED FOR A DISTANCE LESS THAN 10 FEET BETWEEN WATER MAIN AND GRAVITY SEWER. THIS SEPERATION SHALL ALSO APPLY TO WATER AND SEWER SERVICES.
- ② 2. NO EXCEPTION TO THE MINIMUM SEPARATION REQUIREMENT IS PERMITTED WHEN THE SEWAGE CARRYING PIPE IS A FORCE MAIN. AT CROSSINGS, ONE FULL LENGTH OF WATER MAIN PIPE SHALL BE LOCATED SO THAT BOTH JOINTS WILL BE AS FAR FROM THE FORCE MAIN AS POSSIBLE.
- ③ 3. LESS THAN 18 INCHES OF SEPARATION IS PERMITTED WHEN THE GRAVITY SEWER AT THE CROSSING IS MADE FROM A SINGLE 20 FOOT LENGTH OF AWWA PRESSURE PIPE AND THE CROSSING ANGLE IS APPROXIMATELY 90 DEGREES. SPECIFIC MONTANA DEPARTMENT OF ENVIRONMENTAL QUALITY APPROVAL IS REQUIRED FOR A VERTICAL SEPARATION OF LESS THAN 18 INCHES BETWEEN WATER MAIN AND SANITARY SEWER.
- ④ "L" IS A STANDARD LENGTH OF PIPE AS SUPPLIED BY A PIPE MANUFACTURER.
- ⑤ ADEQUATE STRUCTURAL SUPPORT FOR PIPES AT CROSSINGS SHALL BE PROVIDED.

DETAIL NO.: BSWSD: 26-02	BIG SKY WSD 363 STANDARD DRAWING	SCALE: NONE	WATER AND SEWER MAIN AND SERVICE SEPARATION	DATE:	FEBRUARY 2010
				LAST REVISION:	DECEMBER 2019
				CROSS REFERENCE WITH:	MPW-6-NO. 02660-2